

ACOTO RANGE

The ACOTO range of changeover panels are designed to suit either single phase or three phase (Direct On Line starting) twin fan units fitted with or without airflow switches. The changeover panels incorporate industrial contactors fitted with thermal overloads pre-set to your requirements. The control panel fascia has a power lamp, fan fail lamp and a rocker switch. The ACOTO range of auto changeover panels are compatible with our EFSC and ATC range of speed controllers. Where inverter control is required please enquire.

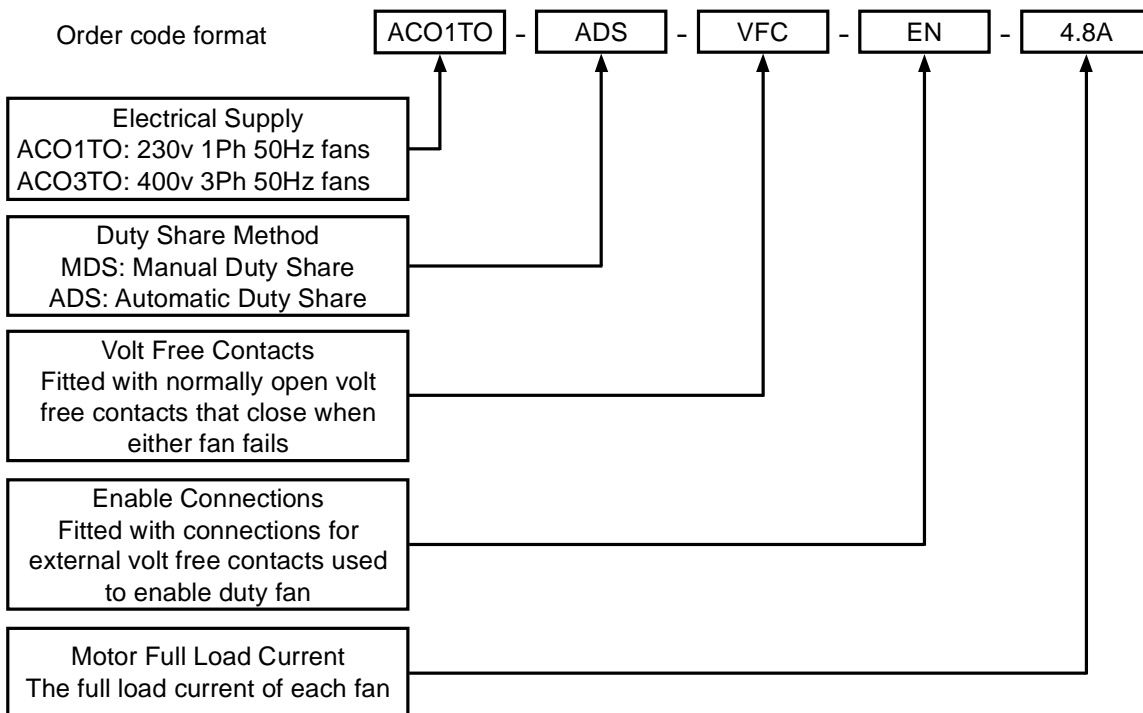
ACOTO RANGE

ACOTO Range Features

- Fan A/B selector switch on manual duty share version
- Internal timer on auto duty share version allows user to select duty period
- Auto changeover on tripping of thermal overload or loss of airflow (if airflow switches fitted)
- Optional fan fail output
- Enable connections available as optional extra allowing duty fan to be enabled from a set of volt free contacts (230v ac rated)
- Compatible with EFSC & ATC speed controllers
- Enclosure size 315mm (H) x 235mm (W) x 130mm (D)



So we can process your order as quickly as possible please use the format shown below.



Ordering code example shown
ACO1TO-ADS-VFC-EN-4.8A
Single phase.
Auto duty share.
Fitted with volt free contacts for fan fail.
Connections for enable volt free contacts.
Motors with a full load current of 4.8A.

Model no.	Electrical supply	Max rating	£
ACO1TO-MDS	230v 1Ph 50Hz	9 Amps	261.94
ACO3TO-MDS	400v 3Ph 50Hz & Neutral	9 Amps	262.40
ACO1TO-ADS	230v 1Ph 50Hz	9 Amps	282.59
ACO3TO-ADS	400v 3Ph 50Hz & Neutral	9 Amps	283.06

Optional Extras	£
Connections for fan fail volt free contacts	5.41
Connections for enable volt free contacts	3.00