

## INSTALLATION AND OPERATING INSTRUCTIONS ECPOT RANGE

A range of potentiometers for the speed control of EC fan motors. The speed adjustment potentiometers are connected directly to the EC motor to provide stepless speed control by means of varying the 0-10v input to the fan motor. The potentiometer value on all our EC potentiometers is 10KΩ.

There are 4 basic models of potentiometers:

ECP1: Single gang potentiometer for control of 1 fan, no switch, plastic front plate.

ECP1-S: Single gang potentiometer for control of 1 fan, with switch, plastic front plate.

ECP2: Single gang potentiometer for control of 1 fan, no switch, stainless steel front plate.

ECP2-S: Single gang potentiometer for control of 1 fan, with switch, stainless steel front plate.

Each basic version is then available with the following extra facilities

### Min speed preset

These models feature a preset to allow the installer to set a minimum speed that the fan runs at when the dial is fully anti clockwise.

Dual gang: These models allow the user to simultaneously control the speed of 2 EC motors from 1 controller such as controlling speed of supply and extract fans simultaneously for use in conjunction with twin fan controls.





### Installation.

Check that the speed controller supplied is compatible with the fan.

Install in a dry sheltered position. Do not install in close proximity to a heat source.

Remove the front cover of the controller by unscrewing the fascia fixing screws. This provides access to mounting holes and electrical terminals.

All wiring must be carried out by a suitably qualified and competent person and comply with current applicable regulations

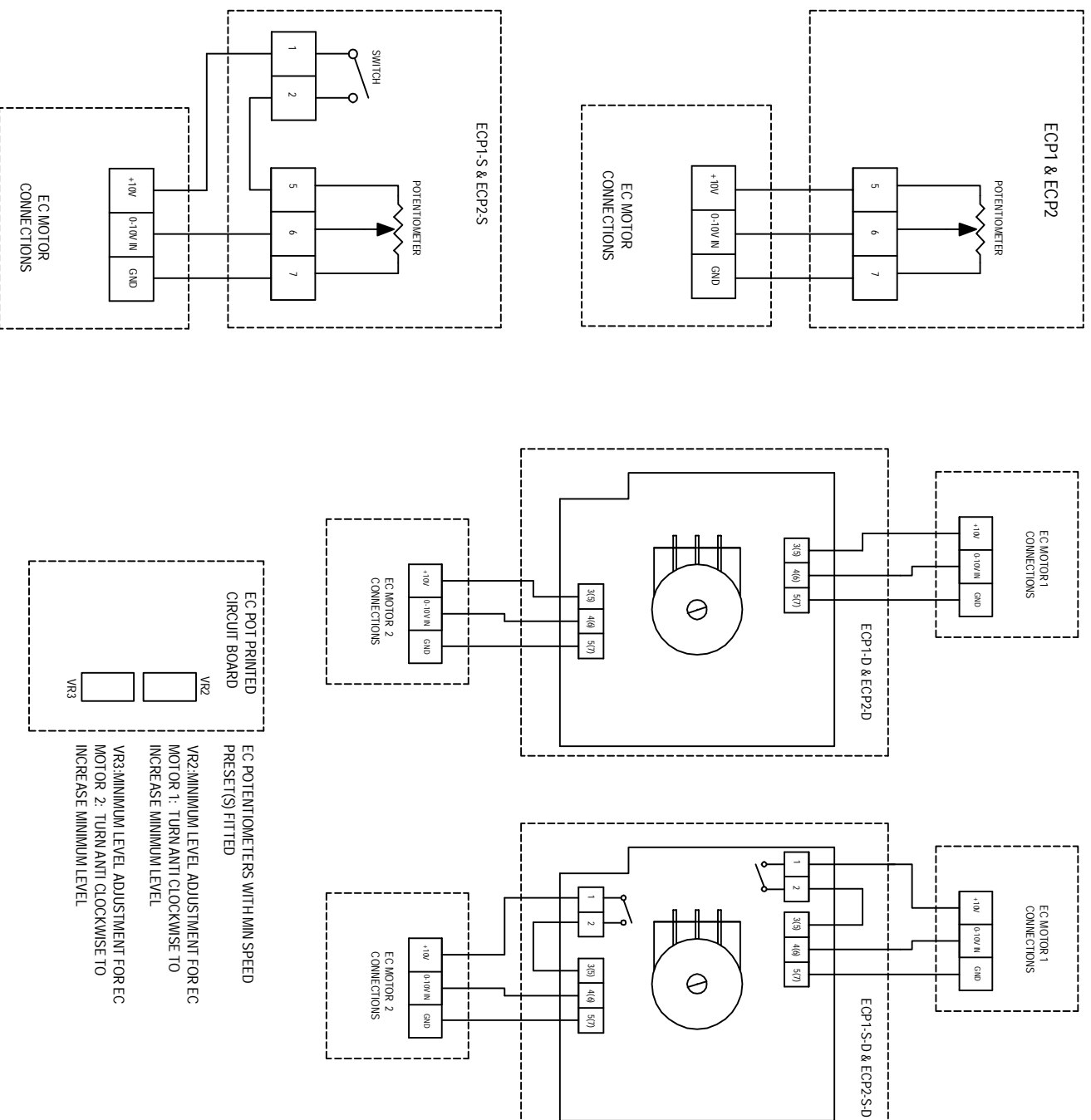
				
Optional extra facilities	Model no. and cost			
Single gang (basic model)	ECP1	ECP1-S	ECP2	ECP2-S
Single gang + 1 x min speed pre-set	ECP1-P	ECP1-S-P	ECP2-P	ECP2-S-P
Dual gang	ECP1-D	ECP1-S-D	ECP2-D	ECP2-S-D
Dual gang with 2 x min speed pre-sets	ECP1-D-P	ECP1-S-D-P	ECP2-D-P	ECP2-S-D-P

## WIRING DIAGRAMS FOR EC POT RANGE

INSTALLATION MUST BE CARRIED OUT BY A SUITABLY QUALIFIED AND COMPETENT PERSON IN ACCORDANCE WITH CURRENT APPLICABLE REGULATIONS.

EARTH CONNECTIONS HAVE BEEN OMITTED FOR PURPOSE OF CLARITY AND MUST BE USED WHERE FITTED AND APPLICABLE

REFER TO FAN MANUFACTURERS INSTRUCTION FOR MAIN ELECTRICAL SUPPLY CONNECTIONS



EC POTENTIOMETERS WITH MIN SPEED PRESET(S) FITTED

VR2: MINIMUM LEVEL ADJUSTMENT FOR EC MOTOR 1: TURN ANTI CLOCKWISE TO INCREASE MINIMUM LEVEL

VR3: MINIMUM LEVEL ADJUSTMENT FOR EC MOTOR 2: TURN ANTI CLOCKWISE TO INCREASE MINIMUM LEVEL

REV	DATE	INITIALS	FIELD	WIRING	DIAGRAM	EC POT RANGE
A	19/11/18	AH				ORIGINAL SCHEME

Client: \_\_\_\_\_

Site: \_\_\_\_\_

Job No. \_\_\_\_\_ Dwg No. \_\_\_\_\_

Scale: NTS Site No. \_\_\_\_\_

Date: 19/11/18 Issue: \_\_\_\_\_

Drawn: AH Checked: \_\_\_\_\_

Drawn: AH Checked: AH

CADAMP LTD Telephone: \_\_\_\_\_

Great Pasture Lane 01943 863884

Burley in Wharfedale Facsimile: \_\_\_\_\_

West Yorkshire 01943 862630

LS29 7DB E-mail: \_\_\_\_\_

United Kingdom info@cadamp.co.uk