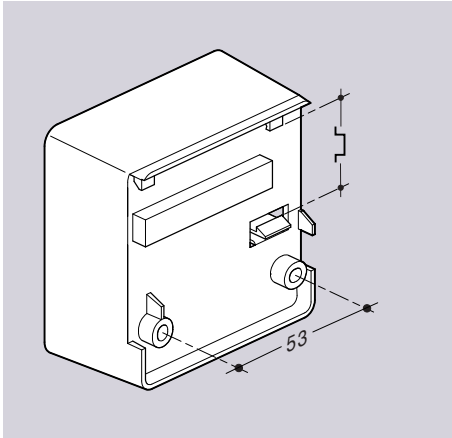


Time switch
ref.: 16000

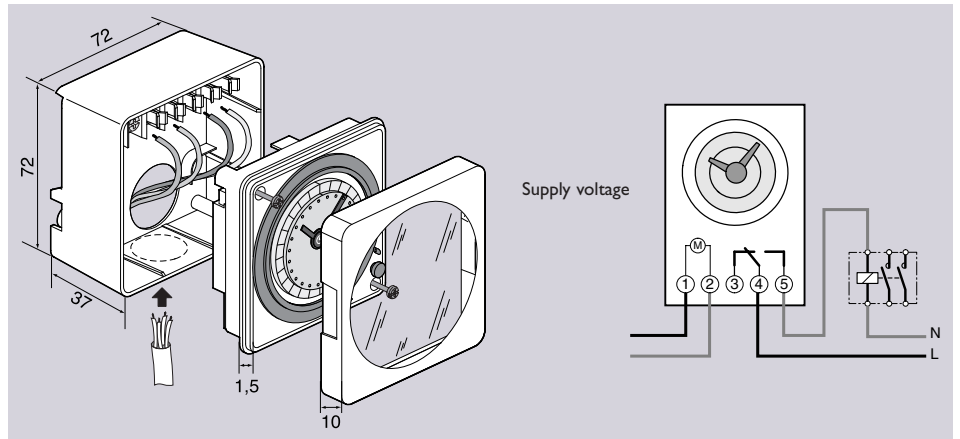
Consumption: 0,5 VA
Technology: quartz
Working accuracy: 1 sec./24 h
Working temperature: -10°C to +50°C
Storage temperature: -20°C to +60°C
Connection capacity: 1 to 6 mm²
1 Changeover switch
16 A 250 V~ AC1 (resistive load)
3 A 250 V inductive load cos φ 0.6
1000 W incandescent lighting
Type of insulation: II
Protection degree: IP 20
Complies with norm: EN 60730

Concerning the unspecified references, the electrical and connection specifications are defined on the product-sticker.

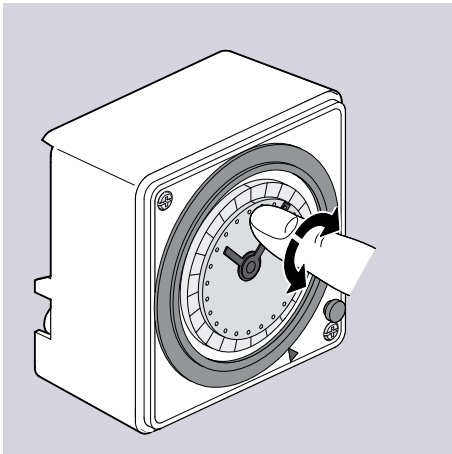
Fixing



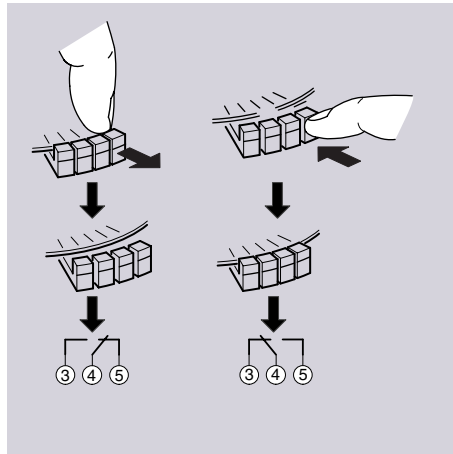
Connection



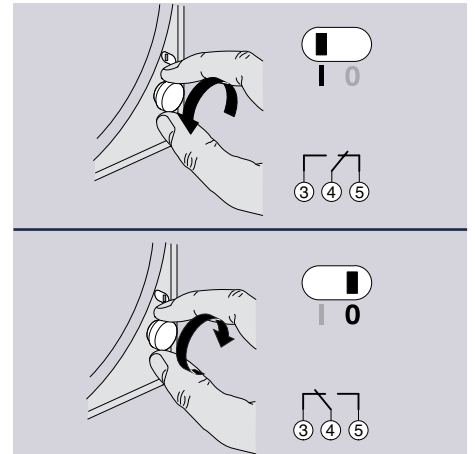
Time/day setting



Programming



Manual override: switch back to automatic mode at the next switching action



Supply voltage	Cycle	Supply failure reserve	Min. interval between 2 actions
230 V~ 50/60 Hz			
16622	24 hours	—	20 mins
16621	24 hours	200 hours	20 mins
16922	7 days	—	2 hours
16921	7 days	200 hours	2 hours