

OC-W-V

Internal Wall Mounted Occupancy Detector



Features:

- Corner or flat wall mounted
- 24Vac/dc powered
- 18 meter coverage

Benefit:

- Low voltage loads (6(2)A @24V) can be switched directly without the need for interposing relays
- Easy adjustment of delay time

Technical Overview

The OC-W-LV is a Passive Infra-Red detector for monitoring occupation through moving body heat. Detection of occupancy causes the internal SPDT relay to activate.

The volt free contacts in the OC-W-LV ensure compatibility with a vast array of equipment.

Please note that the relay in this unit is rated for low voltage use only.

Specification:

Part Codes:

Occupancy Sensor	Passive Infra-Red Detector
Field of view	90°
Coverage	18 metres
Type	Class 2I
Supply Voltage	12 - 24Vac/dc
Switching Capacity	6(2)A @ 24V
Electrical Connections	+24V, 0V, Relay - Common, NO, NC
Dimensions	See Page 3
Installation height	2-3m (6.5-9.84ft) above the floor
Ambient:	
Temperature	-10 to +40°C (14 to 104°F)
Humidity	90%RH non-condensing
Material	Flame retardant ABS, polypropylene
Protection	IP30
Country of origin	China

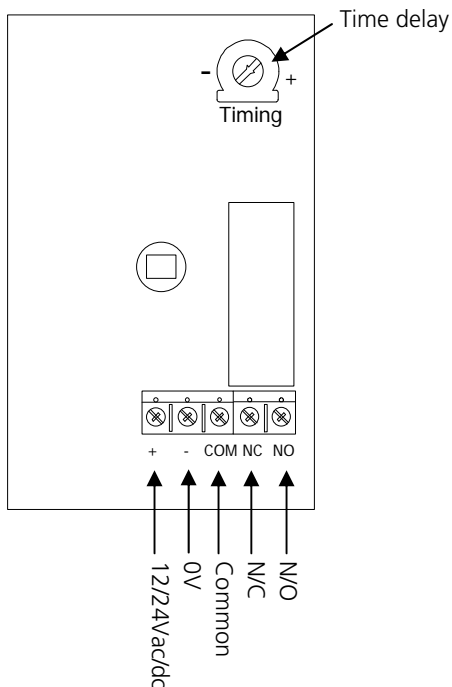
OC-W-V

Internal Wall Mounted Occupancy Detector

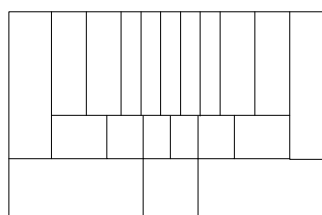


The products referred to in this data sheet meet the requirements of EU Directive 2004/108/EC

Installation & connections:



- Avoid direct sunlight entering the sensor.
- Do not site within 1m of forced air heating or ventilation.
- Do not site within 1m of any lighting.
- Do not fix to a vibrating surface.



Lens Patten

Mounting:

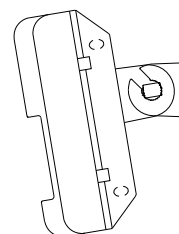
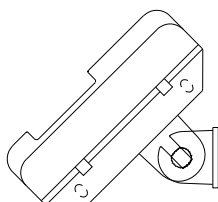
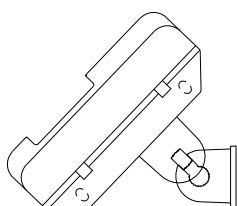
Bracket Mounting

The recommended fixing of the OC-W-V to a flat wall or corner is using the bracket included with the unit. The bracket is secured using screws (not supplied) and then the housing is simply attached as shown in the diagram below.

The wall bracket must be fitted with the opening pointing upwards.

Align the bracket opening with the OC-W-V housing.

Adjust, as required.

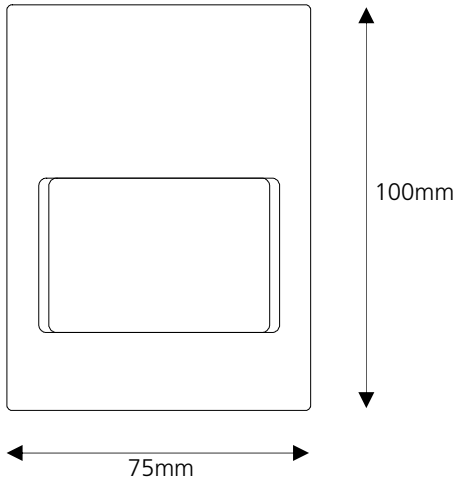


Direct Mounting

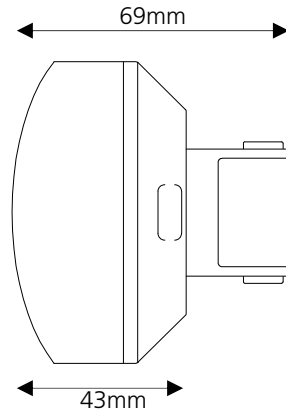
Direct mounting to either a corner or flat wall is achieved using knock-out's in the back cover. The front cover is removed by unclipping it which will reveal a number of knockouts on the rear part of the enclosure. These are simply punched or drilled out and the rear section is then fixed directly to the surface. The front cover can then be clipped back into place.

Dimensions:

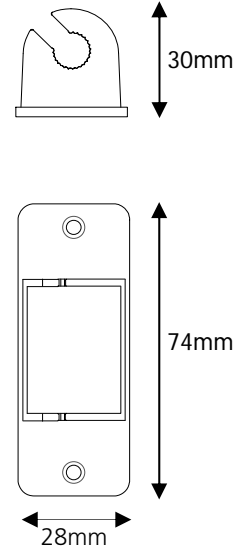
Front:



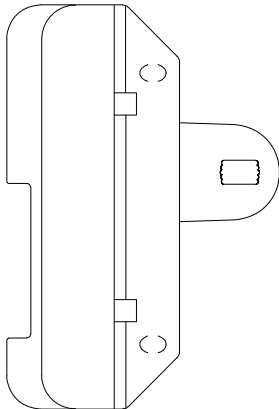
Top:



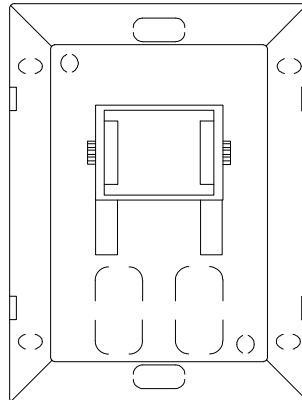
Wall bracket:



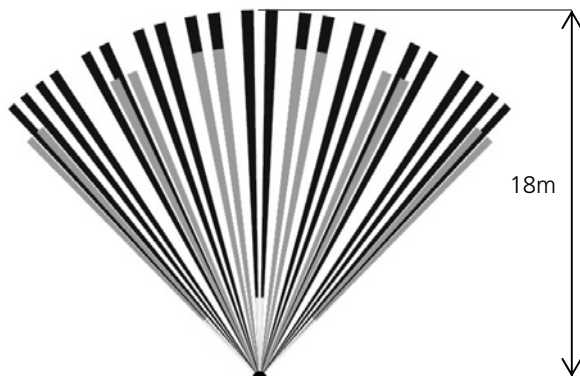
Side:



Back plate



Detection Range:



Wall mounting 2.25m
above the floor

