

# INSTALLATION AND OPERATING INSTRUCTIONS

## INVERTER FAN SPEED CONTROLLERS: INV RANGE

### Specification

Single Phase input(INV1-x-x-x)  
230v 1Ph 50Hz input/ 230v 3Ph output

Three Phase input (INV3-x-x-x)  
400v 3Ph 50Hz input/ 400v 3Ph output

| Electrical supply | Max rating Kw/Amps | Dimensions mm (H x W x D) |
|-------------------|--------------------|---------------------------|
| 230v 1Ph 50Hz     | 0.4 / 2.8          | 400 x 300 x 150           |
| 230v 1Ph 50Hz     | 0.75 / 5           | 400 x 300 x 200           |
| 230v 1Ph 50Hz     | 1.5 / 8            | 400 x 300 x 200           |
| 230v 1Ph 50Hz     | 2.2 / 11           | 400 x 300 x 200           |
| 230v 1Ph 50Hz     | 4 / 17.6           | 500 x 400 x 250           |

| Electrical supply | Max rating Kw/ Amps | Dimensions mm (H x W x D) |
|-------------------|---------------------|---------------------------|
| 400v 3Ph 50Hz     | 0.75/2.5            | 400 x 300 x 200           |
| 400v 3Ph 50Hz     | 1.5 / 4.2           | 400 x 300 x 200           |
| 400v 3Ph 50Hz     | 2.2 / 5.8           | 400 x 300 x 200           |
| 400v 3Ph 50Hz     | 4 / 9.5             | 400 x 300 x 200           |
| 400v 3Ph 50Hz     | 5.5 / 13            | 500 x 400 x 200           |
| 400v 3Ph 50Hz     | 7.5 / 17            | 500 x 400 x 200           |
| 400v 3Ph 50Hz     | 11 / 25             | 600 x 400 x 250           |
| 400v 3Ph 50Hz     | 15 / 32             | 600 x 400 x 250           |
| 400v 3Ph 50Hz     | 18.5 / 38           | 600 x 600 x 300           |
| 400v 3Ph 50Hz     | 22 / 46             | 600 x 600 x 300           |

### Installation

Check that the inverter speed controller supplied is compatible with the fan motor.

**NOTE: WHEN DRILLING HOLES IN THE ENCLOSURE FOR CABLE ENTRIES THE INVERTER INSIDE THE ENCLOSURE MUST BE COVERED TO PREVENT SWarf ETC PENETRATING THE INVERTER. FAILURE TO DO THIS WILL INVALIDATE THE WARRANTY**

Be sure to install the inverter in a well ventilated room that does not have direct exposure to sunlight, a tendency for high temperature, high humidity or dew condensation, high levels of dust, corrosive gas, inflammable gas, grinding-fluid mist, salt damage, etc. Otherwise there is a danger of fire

Allow 150mm of free space at either side of the controller for airflow movement

Unlock the front lid of the controller using the plastic key provided. The door isolator has to be in the OFF position to open the lid. This provides access to mounting holes and electrical terminals.

All wiring must be carried out by a suitably qualified and competent person and comply with current applicable regulations

### Operating instructions

The inverter has been programmed to suit the fan it is been used in conjunction with and therefore no programming of the inverter is required.

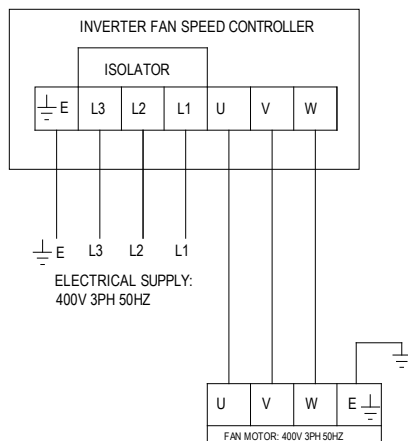
Turn the door isolator to the ON position

Turn the stop/start switch to the START switch

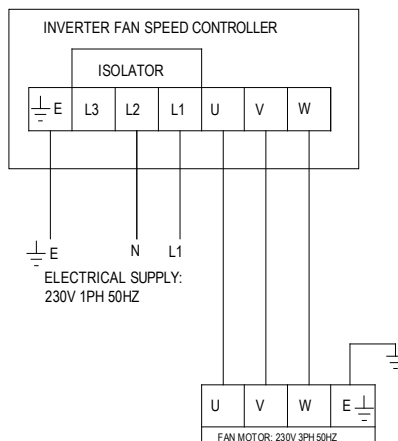
Adjust the graduated stepless speed control knob to the required speed 0=minimum speed 10=maximum speed

### Wiring diagrams

INVERTER FAN SPEED CONTROLLER INV3-x-x-x WITH SINGLE OUTPUT



INVERTER FAN SPEED CONTROLLER INV1-x-x-x WITH SINGLE OUTPUT



TERMINALS FOR REMOTE STOP/START & SPEED ADJUSTMENT STATION (WHEN FITTED)

